

# BP1426 Twin-Shear™ Granulator



Part Number: D-391210  
Bulletin Number: CG6-605.2  
Effective: 11/10/03

Write Down Your Serial Numbers Here For Future Reference:

_____	_____
_____	_____
_____	_____

We are committed to a continuing program of product improvement.  
Specifications, appearance, and dimensions described in this manual are subject to change without notice.

DCN No. \_\_\_\_\_  
© Copyright 2006  
All rights reserved.

# Shipping Info

---

## ***Unpacking and Inspection***

You should inspect your granulator for possible shipping damage.

Thoroughly check the equipment for any damage that might have occurred in transit, such as broken or loose wiring and components, loose hardware and mounting screws, etc.

## ***In the Event of Shipping Damage***

According to the contract terms and conditions of the Carrier, the responsibility of the Shipper ends at the time and place of shipment.

Notify the transportation company's local agent if you discover damage.

Hold the damaged goods and packing material for the examining agent's inspection. **Do not return any goods before the transportation company's inspection and authorization.**

File a claim with the transportation company. Substantiate the claim by referring to the agent's report. A certified copy of our invoice is available upon request. The original Bill of Lading is attached to our original invoice. If the shipment was prepaid, write us for a receipted transportation bill.

Advise customer service regarding your wish for assistance and to obtain an RMA (return material authorization) number.

## ***If the Shipment is Not Complete***

Check the packing list as back-ordered items are noted on the packing list. You should have:

- Granulator
- Bill of lading
- Packing list
- Operating and Installation packet
- Electrical schematic and panel layout drawings
- Component instruction manuals

Re-inspect the container and packing material to see if you missed any smaller items during unpacking.

## ***If the Shipment is Not Correct***

If the shipment is not what you ordered, **contact the shipping department immediately**. For shipments in the United States and Canada, call 1 (800) 229-2919; for all other countries, call our international desk at (508) 399-**3100**. Have the order number and item number available. *Hold the items until you receive shipping instructions.*

## ***Returns***

Do not return any damaged or incorrect items until you receive shipping instructions from the shipping department.

# Table of Contents

---

<b>CHAPTER 1: SAFETY .....</b>	<b>5</b>
1-1 How to Use This Manual.....	5
<i>Safety Symbols Used in this Manual.....</i>	<i>5</i>
1-2 General Safety Regulations.....	6
1-3 Responsibility .....	6
1-4 Warnings and Precautions.....	7
<b>CHAPTER 2: FUNCTIONAL DESCRIPTION .....</b>	<b>9</b>
2-1 Models Covered in This Manual.....	9
2-2 General Description.....	9
2-3 Typical Features and Components .....	10
<i>Hopper.....</i>	<i>10</i>
<i>Cutting Chamber.....</i>	<i>10</i>
<i>Drive System .....</i>	<i>10</i>
<i>Discharge System.....</i>	<i>10</i>
<i>Base .....</i>	<i>10</i>
2-4 Safety Features .....	11
<i>Motor Starter.....</i>	<i>11</i>
<i>Safety Switches .....</i>	<i>11</i>
<i>Safety Tags.....</i>	<i>11</i>
<b>CHAPTER 3: INSTALLATION .....</b>	<b>12</b>
3-1 Uncrating the Equipment .....	12
3-2 Belt Tensioning.....	12
3-3 Electrical Connections .....	13
3-4 Accessing the Cutting Chamber.....	14
3-5 Closing the Cutting Chamber.....	14
3-6 Initial Start-up .....	15
<b>CHAPTER 4: OPERATION .....</b>	<b>16</b>
4-1 Start-up.....	16
4-2 Feeding the Granulator .....	16
4-3 Clearing a Jammed Cutting Chamber .....	16
4-4 Shut-down .....	17
<b>CHAPTER 5: MAINTENANCE .....</b>	<b>18</b>
5-1 Preventative Maintenance Schedule.....	18
5-2 Lubrication.....	18
5-3 Interlock Switches.....	19
5-4 Replacing and Adjusting the Knives.....	20
<i>Rotor Knives .....</i>	<i>20</i>
<i>Bed Knives.....</i>	<i>21</i>
5-5 Sharpening the Knives.....	22
<i>Rotor Knife Sharpening.....</i>	<i>22</i>
<i>Bed Knife Sharpening .....</i>	<i>22</i>

5-6	Adjusting Belt Tension.....	23
5-7	Motor Drive Belt Replacement.....	24
<b>CHAPTER 6: TROUBLESHOOTING.....</b>		<b>25</b>
6-1	Introduction.....	25
6-2	Electrical Faults .....	26
6-3	Processing Faults .....	27
6-4	Mechanical Faults.....	28
<b>CHAPTER 7: APPENDIX.....</b>		<b>29</b>
7-1	Customer Satisfaction Warranty Program.....	29
7-2	Drawings and Specifications (including Options) .....	30
	<i>Features</i> .....	30
	<i>Specifications</i> .....	30
	<i>Dimensions</i> .....	31
	<i>Vertical Cross Section</i> .....	33
	<i>Longitudinal Cross Section</i> .....	34
7-3	Spare Parts List .....	35
7-4	Typical Wiring Diagram.....	36
7-5	Technical Assistance .....	37
	<i>Parts Department</i> .....	37
	<i>Service Department</i> .....	37
	<i>Sales Department</i> .....	37

# Chapter 1: Safety

---

## 1-1 How to Use This Manual

Use this manual as a guide and reference for installing, operating, and maintaining your granulator. The purpose is to assist you in applying efficient, proven techniques that enhance equipment productivity.

This manual covers only light corrective maintenance. No other maintenance should be undertaken without first contacting a service engineer.

The Functional Description section outlines models covered, standard features, and safety features. Additional sections within the manual provide instructions for installation, pre-operational procedures, operation, preventive maintenance, and corrective maintenance.

The Installation chapter includes required data for receiving, unpacking, inspecting, and setup of the granulator. We can also provide the assistance of a factory-trained technician to help train your operator(s) for a nominal charge. This section includes instructions, checks, and adjustments that should be followed before commencing with operation of the granulator. These instructions are intended to supplement standard shop procedures performed at shift, daily, and weekly intervals.

The Operation chapter includes a description of electrical and mechanical controls, in addition to information for operating the granulator safely and efficiently.

The Maintenance chapter is intended to serve as a source of detailed assembly and disassembly instructions for those areas of the equipment requiring service. Preventive maintenance sections are included to ensure that your granulator provides excellent, long service.

The Troubleshooting chapter serves as a guide for identification of most common problems. Potential problems are listed, along with possible causes and related solutions.

The Appendix contains technical specifications, drawings, schematics, parts lists, and available options. A spare parts list with part numbers specific to your machine is provided with your shipping paperwork package. Refer to this section for a listing of spare parts for purchase. Have your serial number and model number ready when ordering.

### ***Safety Symbols Used in this Manual***

The following safety alert symbols are used to alert you to potential personal injury hazards. Obey all safety messages that follow these symbols to avoid possible injury or death.

***DANGER!*** *DANGER indicates an imminently hazardous situation that, if not avoided, will result in death or serious injury.*

***WARNING!*** *WARNING indicates a potentially hazardous situation or practice that, if not avoided, could result in death or serious injury.*

***Caution!*** *CAUTION indicates a potentially hazardous situation or practice that, if not avoided, may result in minor or moderate injury or in property damage.*

## **1-2 General Safety Regulations**

This machine uses knives for the performance of its intended use. Consequently, it can be a dangerous machine to operate and maintain unless these safety regulations are followed.

These regulations should be read, understood and periodically reviewed by all personnel involved in any way with this machine.

Never operate or remove any machine components that are secured by wrench-type fasteners unless the motor is electrically locked out and the rotor is motionless.

Never operate the machine or jog the rotor unless the cutting chamber covers, discharge chute, or any guards or covers are in place and secure. Do not circumvent the safety interlocks.

Prior to clearing a jam or performing any maintenance, the motor should be turned off and electrically locked out. Be sure that the rotor has come to a stop. Hands must not be inserted into the machine to clear the jam.

Do not extend any part of the body into feed roll openings or discharge area unless the motors are electrically locked out and the rotor and feed rolls are motionless.

Never extend fingers through holes in screen.

Be sure that the v-belts are properly aligned and that tension is at its maximum.

Extreme care should be taken to see that all bolts are properly tightened at all times. During the operation of the machine, rotor knife bolts may come loose. Although fine threads are used on the rotor knife bolts because vibration does not easily loosen them, you should inspect the tightness of the bolts frequently.

This machine is designed for the granulation of plastic materials. Do not feed any other materials into the machine.

## **1-3 Responsibility**

These machines are constructed for maximum operator safety when used under standard operating conditions and when recommended instructions are followed in the maintenance and operation of the machine.

All personnel engaged in the use of the machine should become familiar with its operation as described in this manual.

Proper operation of the machine promotes safety for the operator and all workers in its vicinity.

Becoming familiar with materials, inspection, speed limitations, screens, and guard maintenance and total user responsibility will assist you in learning potential areas in need of observation for danger.

Each individual must take responsibility for observing the prescribed safety rules as outlined. All caution, warning and danger signs must be observed and obeyed. All actual or potential danger areas must be reported to your immediate supervisor.

## 1-4 Warnings and Precautions

Our granulators are designed to provide safe and reliable operation when installed and operated within design specifications, following national and local safety codes.

To avoid possible personal injury or equipment damage when installing, operating, or maintaining this granulator, use good judgment and follow these safe practices:

- ☑ **LEARN AND OBEY** your company's safety policy regarding granulating equipment.
- ☑ **MOVING OR LIFTING THE GRANULATOR:** Although our equipment is built and engineered for great ruggedness in operation, care must be taken when moving the machine along the floor or lifting it. Damage may occur to sheet metal covers, electrical cabinets, or small brackets if pressure is applied to them when moving the granulator. When lifting the granulator, be certain of total machine weight and the capability of the lifting equipment. (See the Granulator Specification Sheets for machine weights and dimensions.)
- ☑ **GRANULATOR LOCATION:** Adequate area for routine maintenance should be provided in order to open the machine for knife, screen, or cleanout service. Proper service area clearances also should allow people who are working on the machine to be clearly visible to others, thereby reducing the potential safety hazards.
- ☑ **SAFE HOUSEKEEPING:** The work area must be kept clean and uncluttered during periods of operation or maintenance. No hand tools or other metal objects should be left on or around the machine. Any tools or other metal objects that mistakenly fall into the hopper feed opening can cause severe damage to internal cutting chamber, rotor and screen components.
- ☑ **SAFETY GLASSES OR A FACE SHIELD MUST ALWAYS BE WORN** when servicing or operating the machine. Although our machines are designed for the maximum in flyback control, caution must be used when operating near the hopper feed opening in order to guard against unexpected material flyback.
- ☑ **EAR PROTECTION** may be required when operating the machine during granulation of very hard or noisy materials. The Occupational Safety and Health Act of 1970 has established guidelines for Permissible Noise Exposures (OSHA 1910.95) that should be followed.
- ☑ **NEVER** attempt to operate the granulator unless it is fully assembled with all guards and interlocks in place and functional.
- ☑ **OBSERVE** all danger, warning, caution and safety labels on the equipment.
- ☑ Upon completion of any machine maintenance, be certain **ALL SAFETY GUARDS AND COVERS** are securely and properly fastened prior to resuming machine operation. All fasteners must be in place and properly tightened. **ANY SHORTCUTS MAY RESULT IN INJURY TO PERSONNEL OR DAMAGE TO EQUIPMENT.**
- ☑ **NEVER** wear any loose fitting clothes, neckties, or dangling items such as earrings, belts, or shoestrings. Jewelry, such as wristwatches, bracelets, or rings should **NEVER** be worn. Long hair must be tied back or placed in a tight fitting hairnet. **NEVER** lean against or rest hands or feet on the granulator when it is in operation or open for maintenance. **NEVER** stand on the granulator when it is in operation.

- ☑ **ROTATION OF MOTORS:** The correct rotating direction for the granulator motor is clearly marked on the machine. Always check for proper rotation of motors. Incorrect rotation direction can cause severe damage.
- ☑ **ELECTRICAL GROUNDING:** All electrical equipment on the granulator must be grounded in accordance to all local codes and Article 250 of the National Electric Code.
- ☑ **ALWAYS DISCONNECT AND LOCKOUT** the main electrical power to the granulator before performing any service.
- ☑ **SAFETY INTERLOCKS MUST NOT BE BYPASSED.** The mechanical and electrical safety interlocks ensure the safety of personnel. They should never be tampered with or removed for ANY reason. They should be checked frequently by a qualified mechanic for proper operation.
- ☑ **NEVER** modify the machine configuration or any individual component without written notice from the factory.

For further information on granulator safety, installation, and operation, see the *American National Standard for Plastics Machinery—Granulators, Pelletizers, and Dicers Used for Size Reduction of Plastics—Construction, Care, and Use*. ANSI B151.11-1982.

We have long recognized the importance of safety and have designed and manufactured our equipment with operator safety as a prime consideration. We expect you, as a user, to abide by the foregoing recommendations in order to make operator safety a reality.



# Chapter 2: Functional Description

---

## 2-1 Models Covered in This Manual

This manual provides the necessary instructions for the installation, set-up, and maintenance of our **BP1426** granulator.

## 2-2 General Description

This granulator is a rugged, rotary-cutting machine specifically designed to cut, chip, and granulate the toughest plastic materials with a minimum expenditure of horsepower.

A massively built, low RPM, high inertia rotor with chevron knives accepts large parts with ease and assures long, trouble-free service. The bed knife block is made of heavy steel, and the cutting chamber is made of a thick steel plate with integral oversize bearing housings.

The hopper is designed to tilt back, and the screen cradle to swing down for quick access into the cutting chamber.

Reclamation of sprues, runners, and small parts for inclusion and application in any type of molding or extrusion equipment is designed-in capability and depending on screen size used, this machine will provide pellets or chips to meet most requirements.

With no enclosures, this granulator sets the industry standard for noise reduction with 85 DBA or less in almost all applications.

## 2-3 Typical Features and Components

### ***Hopper***

The hopper is a hinged, upright, tray-feed enclosure with sound dampening. It tilts completely out of the way for unobstructed access to the cutting chamber. It is designed to facilitate feeding of material to the rotary knives and to prevent chips thrown from the cutting chamber from reaching the operator.

### ***Cutting Chamber***

The cutting chamber is a rectangular enclosure comprising the main frame, the bed knives, the bed knife shields, a balanced rotor, and a screen.

The main frame of the cutting chamber carries the bed knives and the bed knife shields. Both the bed knives and shield are adjustable, and the bed knives have reversible cutting edges for extended life.

The internal surfaces of the solid steel cutting chamber are machined to an exceptionally smooth finish for ease of clean-out. The scissor-type cutting action of the chevron rotary knives gives optimum cutting efficiency with low power consumption.

The screen is mounted in a swing-down cradle, positioned just below the rotor and acts as a separating barrier to the granulated material, retaining the material in the cutting chamber until the particle size is such that it will pass through the screen holes.

The open-type, high-alloy steel rotor carries the rotary knives. High-strength alloy steel screws are used for attachment of all knives.

### ***Drive System***

The drive system consists of a drip-proof 1800 RPM motor set on an adjustable sliding base that is mounted below the granulator cutting chamber. The motor drives the rotor with banded V-belts for insured RPM control. Safety guards shield the motor shaft pulley, V-belts and the rotor shaft pulley for complete operator safety.

### ***Discharge System***

The granulated material that falls through the screen is collected by a discharge chute beneath the cutting chamber and directed into a bin. The bin can be removed from the front or left side of the granulator for emptying.

On models fitted with an airveying system (optional), the granulated material that has fallen through the screen is collected in a transition piece located beneath the cutting chamber. The transition piece is connected to a blower, which conveys the granulated material through ducting to the cyclone separator. The cyclone separator allows the granulated material to drop out of the air system into a container.

### ***Base***

The base is a tube-mounted, bin-type construction with tubes located for forklift pick-up.

## 2-4 Safety Features

### ***Motor Starter***

A magnetic motor starter with control transformer must be used when safety switches are installed. Manual starters should not be used under any conditions.

### ***Safety Switches***

Safety switches at all access covers are wired into the starter control circuit. The machine cannot be started when these parts are open. However, for safety purposes, the machine should be disconnected from the power lines by a disconnect switch or by removing the plug from its receptacle. Check all safety switches periodically for proper operation.

### ***Safety Tags***

A set of metal plates is attached to the machine to warn of potential danger.

# Chapter 3: Installation

---

## 3-1 Uncrating the Equipment

The complete granulator, including accessory and auxiliary equipment, is skidded for shipment. Refer to the Appendix for detailed dimensional data and pertinent weights.

Prepare in advance the site you have selected for installation of the granulator. Be certain that the area to be occupied by the machine is clean, level, and free of obstructions. The machine should be set on a concrete floor, and care must be taken when moving the machine across a hollow timber floor, so that the point loading of the casters does not cause damage. The site you have selected must have a floor rating to adequately support the weight of the machine. If necessary, use steel shims to level the machine.

Locate the machine so that access is given to electrical components, screen, and hopper. Maintenance personnel should have unobstructed access to the units on which they will be working.

To avoid squeezing people working near a machine, there should be adequate clearance maintained between machines, walls, or partitions. Hinged doors and covers should have full swing. Restrictions may force work in cramped quarters. An off-balance operator with an awkward reach into a partially obscured area is unsafe.

If inspection after shipment has revealed no shipping damage, unpack the unit by removing all hold-downs, tie-downs, bolts, nuts, etc. Remove the envelope with the electrical schematics and instruction manual from the base evacuation area.

You can now have the machine lifted from the skid. To lift and move the granulator safely and correctly, cover any sharp corners or edges, and use the type of equipment that has the most appropriate features and capacity. Use the designated lifting points, and do NOT lift the machine by the hopper handles or guards.

## 3-2 Belt Tensioning

Belt drives should initially be tensioned at the “run-in” recommended force. Check the tension at least twice during the first two days of operation. After the belts have seated themselves in the sheave grooves and the initial stretch is removed, re-tension the belts to “normal running” and check periodically to maintain tension at the recommended value. See Section 5-6 on page 22 for the belt tensioning procedure.

### 3-3 Electrical Connections

Granulator controls (if ordered) are pre-wired before shipment. The customer is required to provide a suitable fused supply with a disconnect switch and a cable for the incoming line to the starter.

Refer to the technical specifications in the Appendix for horsepower, voltage, phase, and frequency requirements to determine the size and rating of the supply cable required.

If optional controls are required, an electrical wiring diagram will be provided with the machine in addition to the basic electrical diagram.

When the customer is providing either the motor or the starter, the machine must be wired in accordance with the basic electrical diagram and the starter manufacturer's instructions.

Use the following procedure to complete the electrical connections:

1. Check to be certain that the starter heater elements correspond with the motor requirements. If controls are not supplied, the limit switches supplied on the machine must be wired into the circuit at the common terminal box.
2. Check that the limit switches are closed.
3. Turn switch ON at main power supply.
4. Jog motor by pressing the START and then the OFF button. This starts and stops the motor.
5. With the electrical power ON, check that the motor rotates in a clockwise direction at the viewing port in the belt guard. If motor rotation is correct, continue to the next step. If rotation is incorrect, complete the following procedure:
  - a. Shut power OFF and disconnect incoming power supply.
  - b. Reverse any two of the three power line connections to the machine.
  - c. Re-connect the incoming power supply line and turn ON the main power switch to recheck motor drive rotation.
6. If Airveying system (optional) is fitted, press the Airveyor START button, and check the blower motor rotation. The blower motor should rotate in a counterclockwise direction. If blower motor rotation is correct, continue to step 7. If blower motor rotation is incorrect, complete the following procedure:
  - a. Shut power OFF and disconnect incoming power supply line.
  - b. Reverse any two of the three power line connections to the blower motor.
  - c. Re-connect the incoming power supply line, and recheck the blower motor rotation.
7. Allow all motors to run up to speed for at least 30 seconds.

### 3-4 Accessing the Cutting Chamber

You will need to access the cutting chamber before initial startup and for various maintenance procedures. Use the following procedure to access the cutting chamber:

1. Turn the main power off, remove the line fuses, and tag the machine as out of service.
2. Unscrew the front cover interlock screw. This operates a limit switch, preventing the machine from being started.
3. Lift off the front cover to gain access to the hopper crank mechanism.
4. At the rear of the hopper near the bottom, remove the cover that provides access to the downstroke shield, and loosen the five shield hold-down screws. The four remaining side screws are more easily loosened from the top.
5. Unscrew the hopper clamp screw. This operates a limit switch, preventing the machine from being started.
6. Tilt back the hopper (using the hand crank provided) by turning the pivot screw in the top front of the left hand guard. This permits access to the cutting chamber.
7. Remove the screws holding the screen cradle and carefully lower the cradle and screen. Remove the screen from the front.

### 3-5 Closing the Cutting Chamber

After completing any maintenance or adjustments inside the cutting chamber, use the following procedure to close the cutting chamber and resume use of the granulator:

1. Replace the screen in the cradle, making sure that the far edge is trapped beneath the bed knife block. Tighten the cradle screws.
2. If the front shield was removed, replace it and tighten the screws.
3. Check that the cutting chamber is clear of any parts or materials.
4. Close the hopper and tighten down the clamp screw.
5. Check that the gaps between the seal strips and cutting chamber are less than 0.15mm (0.006"). Release the screws to make any adjustment and retighten when adjustment is complete.
6. Replace the front cover and tighten the interlock screw.
7. Replace line fuses, turn power on, and remove the out of service tag from the machine.

### 3-6 Initial Start-up

This machine has been run under power and tested at the factory prior to shipment. The necessary settings and adjustments have been made so that a minimum amount of setting up or re-adjustment is required when starting up the machine in its new location.

With all electrical, mechanical connections and lubrication requirements having been attended to, the following start-up steps should be carefully carried out before attempting to place any material into the infeed hopper. Use the following procedure to prepare the machine for initial start-up:

**WARNING!** *Before operating the granulator, insure that the granulator has been correctly assembled and wired.*

1. Access the cutting chamber as described in Section 3-4 on page 14.
2. Thoroughly clean the rust preventative materials or grease from the hopper, the inside of the cutting chamber, knives, rotor, screen, discharge system, and exterior of the machine. Do not use solvent on any of the painted areas, as solvent may damage the paint.
3. Check all rotor knives to make sure they are properly seated on the rotor and securely fastened. Although they are ground as a set, one knife will probably be .001" to .002" higher than the others. This should be marked and used when adjusting the bed knives for proper clearance.
4. Use a feeler gauge to check the clearance between the rotor and the bed knives by turning the rotor backwards. Rotating the rotor backwards gives a better feel and does not cut the gauge, should the knives be too close. Check the knives on each end only. Proper clearance is 0.10 mm (0.004") to 0.15 mm (0.006"). This clearance is slightly greater at the center of the knives.

**Note:** *Recheck knife clearance after the first 24 to 36 hours of operation.*

5. To make the adjustment on the bed knives, the bed knife bolts should be hand tightened to hold the knife firmly against the knife seat while adjusting the knife forward using push and pull screws. After the clearance is set, torque the 16 mm screws to 266 Nm (196 ft. lbs.).

**Note:** *All screw tightening torque figures are for un-lubricated thread conditions. Screw threads should be wiped with an oil-dampened cloth before installation to prevent galling.*

6. With the exposed parts of the machine thoroughly clean, and all knife clamping bolts securely fastened, close the cutting chamber as described in Section 3-5 on page 14.

**Note:** *After initial start-up, the rotor knife retaining screws should be checked after 8 hours running to be assured that 266 Nm (196 Ft. lbs.) of torque is maintained. Thereafter, rotor knife retaining screws should be checked weekly.*

**Note:** *The rotor must be rotated at least two rotations every 30 days to prevent brinnelling and corrosion of raceways.*

# Chapter 4: Operation

---

## 4-1 Start-up

Before starting the machine, check that the rotor rotates freely by rotating it by hand from outside the machine using either the coupling or the sheave depending on the type of drive. Inspect the cutting chamber carefully to insure that nothing has fallen into it. Make sure all screws and bolts are properly secured. Check all electrical connections and motor rotations. See Chapter 3 on pages 12-15 for detailed set-up instructions. Allow all motors to run up to speed for at least 30 seconds.

## 4-2 Feeding the Granulator

Feed the granulator through the opening in the hopper. The method of feeding the granulator depends on the physical form and nature of the material being processed.

For maximum efficiency, the granulator should be fed at a rate that is consistent with its capacity; i.e., if the granulator is rated at 60 kg/hr (132 lbs./hr.), then the general feed rate is 1 kb/min. (2.2 lbs./min.). Under these operating conditions, the correct proportions of cut and uncut particles will be present in the cutting chamber.

**WARNING!** *Under no circumstances should the operator attempt to reach into the hopper to dislodge any bridged or jammed material while the granulator is in operation. To clear the hopper of bridged or jammed material, the machine main power must be turned off and the machine isolated.*

## 4-3 Clearing a Jammed Cutting Chamber

Never attempt to free a jammed machine by placing hands on the rotor, rotor knives, or inside the cutting chamber. Hands must be kept clear of the rotational path of the rotor knives.

Good footing on a clean floor is essential and the body should be well braced to guard against loss of balance should the jam suddenly come free.

Use the following procedure to clear a jammed cutting chamber:

1. Disconnect and lock out power.
2. Be certain that the rotor is motionless.
3. Open the machine as instructed in Section 3-4 on page 14.
4. Use a pry bar to exert force on the rotor, usually in the direction opposite normal rotation. A leather mallet and a block of wood of sufficient length to keep hands away from path of knives can be used if necessary.
5. Use pliers to remove material from the cutting chamber, keeping in mind that the removal of material may cause rotation of the rotor and rotor knives.
6. After clearing the jam, be certain that the screen and all guards and covers are secured in place before connecting power and starting the machine.



#### **4-4 Shut-down**

Use the following procedure to properly and safely shut down the machine:

1. Stop all feeding of material.
2. Allow the granulator to run until the cutting chamber is completely empty.
3. Press the drive motor “stop” button. This shuts off the rotor drive motor.
4. After the granulator has stopped, press the airveyor stop button (if applicable) located at the blower motor.
5. Turn the main power switch to off.

# Chapter 5: Maintenance

---

## 5-1 Preventative Maintenance Schedule

Check	Frequency
Operation of safety interlock switches	Daily
Knife clearance (0.10 mm – 0.15 mm; 0.004" – 0.006")	Weekly
Knife retaining screws for tightness (266 Nm; 196 Lb. Ft.)	Weekly
Knife exposure (1.6 mm; 0.062")	Weekly
Shield retaining screws for tightness (266 Nm; 196 Lb. Ft.)	Weekly
Lubrication of drive motor bearings	Monthly
Lubrication of rotor bearings (2 ounces of a lithium-based grease, such as Sunoco Prestige 741EP, Mobilux EP-2, or equivalent)	Monthly
Belt tension	Monthly

## 5-2 Lubrication

When the machine is shipped, the bearings are filled with grease. The bearings should require no lubrication for a month under usual operating conditions. If the machine is operated continuously, it may be desirable to lubricate the machine every two or three weeks. This machine should be lubricated with a high temperature bearing grease. We suggest Alemite #38, Sun Oil #844, Sunoco Prestige 741EP, Sovarex #2, Shell EP Grease #1, Mobilux EP-2, or Esso Multi-purpose Grease H.

### 5-3 Testing the Interlock Switches

Test the proper operation of interlock switches daily, or at least weekly, depending on machine usage. Two- or three-shift operations require daily testing of the interlock switches.

Because granulate material or dust can collect or build up inside the belt guard, periodic cleaning and removal of material may be required to maintain proper operation of interlock switches and the belt drive. An inspection port is provided on the belt guard to observe the belt movement and rotation. Depending on plant operating conditions, a flashlight may be required to observe the movement.

Always be sure that the tapped holes for the interlock actuator bolts are free of dirt, plastic dust, or particles before replacing the actuator bolt.

Do not use air wrenches to remove or install interlock switch actuator bolts. The time required to un-thread the actuator bolts with conventional manual wrenches should allow the rotor to come to a complete stop.

**WARNING!** *Always be sure the rotor has come to a complete stop before opening any cover, guard, or hopper.*

If testing determines that an interlock switch is not working, be sure to shut down the granulator, pull it out of service, and lock out the main power before removing the front cover, opening the hopper, or attempting to gain access to the interlock switches. The interlock switches and mechanisms can be accessed by removing the belt guard on the right side of the granulator. In some cases, it may be necessary to remove or slide back the flywheel to completely remove the interlock switch assemblies.

Use the following procedure to test the interlock switches:

1. Press the Stop/Start Button to shut down the granulator.
2. Disconnect and lock out main power supply to the granulator.
3. Using the wiring diagram supplied with your granulator or by tracing the wires from the interlock switches, locate the interlock switch wire numbers on the terminal strip in the control panel. They will usually be marked #1 & #3, #3 & #4, and #4 & #5, etc. depending on how many switches are used on your machine.
4. Connect the leads of an ohmmeter across each interlock switch or across all interlock switches (wires #1 & #5). Set the ohmmeter on the lowest resistance scale. When the interlock actuator bolts are in place and properly activating the switch, the ohmmeter will read zero resistance.
5. Loosen the actuator bolt of each interlock switch (usually about 3 or 4 turns) one at a time, until the ohmmeter reads infinite resistance. If the meter reads infinity before the bolt can be completely removed, the interlock is working. If the actuator bolt can be completely removed and the resistance does not read infinity, the interlock is NOT working, and the complete mechanism, including the switch, must be removed and disassembled to determine the cause of the malfunction.

If an ohmmeter is not available, the interlock switches can be checked by loosening the actuator bolt while the machine is running, until the power to the motor disconnects and shuts down the machine. The indicator light on the Stop/Start Button will go out or you may be able to hear a change in sound when the power disconnects. If the actuator bolt can be completely removed and the power does not disconnect, the interlock switch is not working and the complete mechanism needs to be removed and disassembled to determine the cause of malfunction.

## 5-4 Replacing and Adjusting the Knives

During use, the clearance between the rotor knives and the bed knives will increase due to wear. This is a normal condition that requires re-setting this clearance once or twice before it is necessary to remove the knives for regrinding. Check the knives weekly for wear, clearance, exposure, and screw tightness.

When new knives are fitted to the machine, adjustment after eight hours of running time may be required.

Before assembling a new or reground set of knives, make sure the knife seats and mounting holes are clean. Do not use grease or oil on screws or tapped holes when assembling the knives.

Knives must be replaced in complete sets, otherwise it will not be possible to obtain even clearance between the rotor knives and bed knives.

**WARNING!** *Before applying a wrench to any knife bolt, be certain that the rotor is blocked to prevent rotation. One such method is to use a block of wood at least 1 1/2" thick between a knife and a fixed portion of the frame.*

### **Rotor Knives**

We recommend that the rotor knife screws be replaced with new screws every sixth knife change to reduce the risk of screw failure due to overstretching. Screws must be replaced with the type specified in the spare parts list. Use the following procedure to replace or adjust the rotor knives:

**Caution!** *Rotor knives should be changed one seat at a time to prevent rotor from being rotated in an out-of-balance condition.*

1. Access the cutting chamber as directed in Section 3-4 on page 14.
2. Remove the bed knife shield screws and lift off the bed knife shield.
3. Remove the screws holding the bed knives, and remove the bed knives.
4. Remove the screws holding the knives to the rotor and remove the rotor knives.
5. Thoroughly clean the knife seats, and replace the knives.
6. Lightly tighten the screws and check that a 0.04 mm (0.0015") feeler gauge will not pass between the back of the knife and the knife seat. Tap the knife gently with a rawhide hammer if necessary to close the gap.
7. Tighten the screws evenly and torque the high tensile 16 mm screws to 266 Nm (16 ft. lbs.)

**Note:** *Bolt threads should not be oiled. Wipe thread with and oil-dampened cloth.*

8. Re-check the gap between the back of the knife and the knife seat. If necessary, readjust the knife.
9. Adjust the clearance between the bed knives and rotor knives. (See "Bed Knives" on page 21.)

### ***Bed Knives***

We recommend that the same screws and washers be re-used only when the bed knives have been repositioned or re-ground. When blunt knives are discarded and replaced with new knives, use new screws and washers. This will reduce the risk of screw failure due to their overstretching. Screws and washers must be replaced with the type specified in the Spare Parts List. Use the following procedure to replace or adjust the bed knives:

1. Access the cutting chamber as directed in Section 3-4 on page 14.
2. Remove the bed knife shield screws and lift off the bed knife shield.
3. Remove the screws holding the bed knives, and remove the bed knives.
4. Before installing and adjusting the bed knives, check all rotor knives to make sure they are properly seated on the rotor and securely fastened.
5. Thoroughly clean the knife seats.
6. Replace the bed knives on the bed knife seat and tighten the screws until they are finger-tight.
7. Use the adjustment screws to set the knife clearance to 0.10 mm – 0.15 mm (0.004" – 0.006"). The clearance should be measured with a feeler gauge at the ends of the knife, by rotating the rotor sheave backwards by hand. The clearance is slightly greater at the center of the knives.
8. Tighten the bed knife screws evenly and torque the 16 mm screws to 266 Nm (196 ft. lbs.).
9. Replace the bed knife shield and adjust the shield using its push and pull screws so that its front edge is within 1.6 mm (0.062") of the bed knife edges. The downstroke shield is adjusted with shims that are placed under the side tabs. Unused shims are stored under the head of the screws on top of the tabs.
10. Make sure all screws, bolts, and nuts are properly tightened.

## 5-5 Sharpening the Knives

Under normal operating use, the cutting edge of the knives will eventually become dulled, resulting in reduced cutting efficiency. The blunt knives may either be re-ground to restore the cutting edge, or replaced with new knives when regrinding is not possible.

### **Rotor Knife Sharpening**

The rotor knife can be re-sharpened to the diagram below. The three knives must be sharpened to within 0.076 mm (0.003") of each other. Greater dimensional variations will cause difficult when setting the knife gap and create other serious complications.

When sharpening, it is not harmful to allow a few small nicks to remain in the cutting edge. Grinding the cutting edge until perfectly clean can sometimes be wasteful.

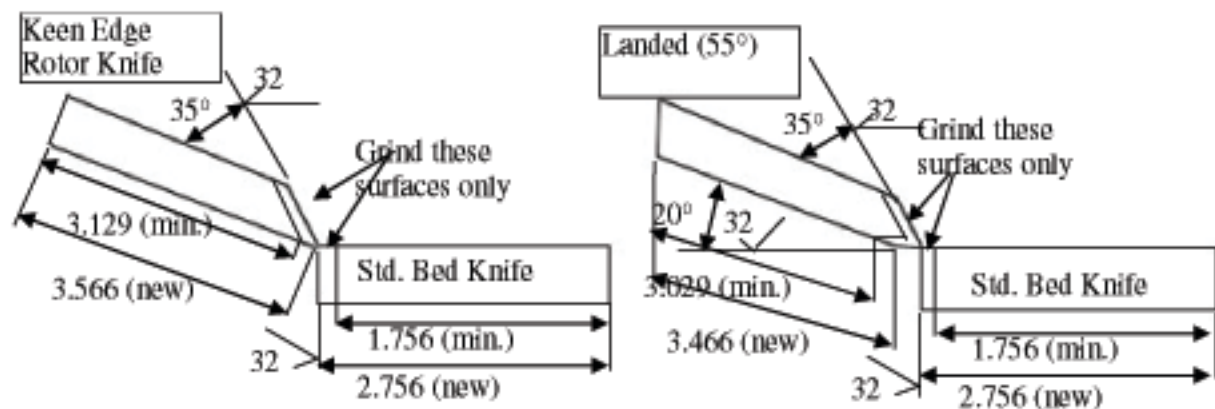
Do not install rotor knives that are smaller than the minimum dimension shown, because the fasteners that secure these knives will interfere with the cutting circle. If the rotor cannot turn, the bed knives will be damaged.

### **Bed Knife Sharpening**

Each bed knife is provided with four cutting edges. When the exposed edges become blunt, the knives can be turned and repositioned to present the new cutting edges. When re-sharpening is necessary, refer to the diagram below.

It is not necessary to grind bed knives to the closely matched tolerance of rotor knives. As with rotor knives, small nicks in the cutting edges will not seriously affect knife cutting efficiency. Bed knives smaller than the minimum dimensions shown must be replaced along with the fasteners that secure them.

**Figure 1: Knife Sharpening Specifications**



## Adjusting Belt Tension

For continuous reliable operation of the granulator, it is important that the belt tension is correct. Correct tension reduces wear on rotor and motor bearings and keeps belt slip to a minimum. Figure 2 gives the recommended force to deflect each belt by an amount equal to the belt span divided by 64. A gauge is available through the sales department to measure the deflection and force. Use the following procedure to adjust the belt tension:

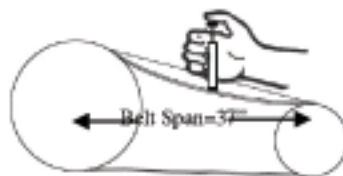
**Note:** *The deflection force value shown must be multiplied by the number of V-belt elements.*

1. Turn off the granulator at the main isolator switch and remove fuses.
2. Remove the cover to gain access to the belts, and remove the right side and rear base panels to gain access to the motor base.
3. Turn the adjusting screw on the motor slide base to tension the belts as required (See Figure 2).
4. Re-tighten the screws, making sure the pulleys are in correct alignment.
5. Replace the covers.

Figure 2: Belt Tensioning Information

Belt Cross Section	Standard Motor Sheave	Deflection Force, Lbs./V-Belt Element*
5 V Banded	8.5 O.D.	16 Min.

\*This deflection force value relates to a single V-belt element. Therefore, if the belt is a 3-V element (3V-banded), this value must be multiplied by 3.



$$\text{Deflection} = \frac{\text{Belt Span}}{64} = 0.58''$$

## **5-7 Motor Drive Belt Replacement**

Use the following procedure to replace the drive belts:

1. Turn off the main power and remove fuses.
2. Remove the right hand guard, bottom side and back base panels to gain access to the belts and pulley.
3. Turn the adjusting screw on the motor slide base to release all tension from the belts.
4. Remove the belts
5. Install the banded V-belts and proceed to adjust the belt tension as instructed in Section 5-6 on page 22.
6. Replace base panels and guards.
7. Replace the line fuses and turn main power on.



# Chapter 6: Troubleshooting

---

## 6-1 Introduction

The utmost in safety precautions should be observed at all times when working on or around the machine and the electrical components. All normal trouble-shooting must be accomplished with the power off, line fuses removed, and with the machine tagged as out of service.

The use of good quality test equipment cannot be over-emphasized when troubleshooting is indicated. Use a good ammeter that can measure at least twice the AC and DC current that can be encountered for the machine. Be sure that the voltmeter has at least minimum impedance of 5,000 OHMS-per-volt on AC and 20,000 OHMS-per-volt on DC scales. Popular combination meters, VOM and VTVM can be selected to provide the necessary functions.

Before making haphazard substitutions and repairs when defective electrical components are malfunctioning, we recommend that you check the associated circuitry and assemblies for other defective devices. It is common to replace the obviously damaged component without actually locating the real cause of the trouble. Such hasty substitutions will only destroy the new component. Refer to wiring diagrams and schematics.

Locating mechanical problems, should they occur, is relatively straightforward. When necessary, refer to the parts catalog section.

## 6-2 Electrical Faults

Problem	Possible Cause	Possible Remedy
Motor Fails to Start	Supply failure Starter inoperative Starter overloads or cuts out Safety switches inoperative	Check fuses Check main supply Check motor requirements and adjust accordingly Check and adjust as needed
Motor starts but will not take load	Too much belt tension Incorrectly connected motor Defective starter winding	Check belt tension and adjust as necessary Check terminal connection with manufacturer's connection diagram and adjust as necessary Check current in each phase with ammeter, if there is a marked difference in current in one phase, contact motor manufacturer
Motor will start when disconnected from load but not when connected	Worn bearings	Check and replace if necessary according to manufacturer's literature

### 6-3 Processing Faults

Problem	Possible Cause	Possible Remedy
Stalling	<p>Overfeeding</p> <p>Partial or complete screen blockage</p> <p>Insufficient tension on v-belt drive causing belt slip and burning</p> <p>Badly blunted or damaged knives</p> <p>Knife setting too wide</p> <p>Installation fault; motor running in reverse direction</p> <p>Safety switch cut out where fitted</p>	<p>Reduce feed rate</p> <p>Remove screen, clear and inspect for damage</p> <p>Check tension of the belt and adjust as necessary</p> <p>Check that the motor slide base screws are secure</p> <p>Fit re-sharpened or new knives as required</p> <p>Check clearances given and adjust as required</p> <p>Check with direction arrow and re-fit electrical connections to give the correct direction</p> <p>Tighten safety switch setting screw</p>
Material overheating	<p>Check all possible causes under "stalling"</p> <p>Screen size too small</p> <p>When granulating rubber, insufficient talc causes freshly cut surfaces to re-adhere</p> <p>Blockage in aiveyor</p>	<p>Remedy as shown above</p> <p>Increase screen size</p> <p>Increase talc percentage rate of infeed</p> <p>Check direction of fan rotation, check venturi and line or chute for blockage</p>

## 6-4 Mechanical Faults

Problem	Possible Cause	Possible Remedy
Bearing overheating	Excessive tension on the belt drive Lubrication fault	Check tension of belt and adjust as necessary Check lubrication frequency and recommended lubricant
Visible cracks in knife	Incorrect grinding or grinding procedure	Check method of grinding and contact our technical sales department
Knives moving on knife seats	Uneven knife seat surfaces Loose knife screws	Clean up to provide maximum bearing surface Knife screws should not be used more than six times. Replace if there is evidence of stretch
Knives breaking	Cracks caused by incorrect grinding	Contact our technical sales department
Excessive knife wear	Open knife setting	Re-set knives
Screen breakage	Incorrectly seated screen	Check that the screen is seated correctly and fully in its cradle

# Chapter 7: Appendix

---

## 7-1 Customer Satisfaction Warranty Program

The terms and conditions of the warranty set forth are for one (1) year from the original date of purchase by the original purchaser.

The manufacturer warrants to the original purchaser the product and/or goods to which this disclaimer is attached, and manufactured by us, to be free from defects in material and workmanship under normal use and service. THIS WARRANTY IS EXPRESSLY IN LIEU OF ALL OTHER WARRANTIES EXPRESSED OR IMPLIED, INCLUDING WARRANTIES OF MERCHANT ABILITY AND FITNESS FOR A PARTICULAR PURPOSE, AND ALL OTHER OBLIGATIONS AND LIABILITIES ON OUR PART.

This warranty shall not apply to any goods or product manufactured by us which has been subject to accident, negligence, alteration of any kind, abuse, or misuse. We further make no warranty whatsoever in respect to accessories or parts not supplied by us. Any warranty of any nature shall apply only to an "original purchaser" which shall be deemed to mean that person or entity for whom the goods and/or product were originally ordered and installed.

We neither assume nor authorize any person to assume for us any liability in connection with the sale or use of the products and goods sold hereunder, and shall not be responsible for damages for which a purchaser may be liable to other persons, damages to property, or injuries to any other persons.

Our sole obligation under this warranty shall be limited to replacing, repairing, or exchanging any part or parts of goods and/or products sold which we determine are defective under normal use and service within one (1) year of date of installation by the original purchaser. We shall not be liable for any loss or damage resulting directly or indirectly from the use or loss of the goods and/or products purchased. In no event shall we be liable for any general, direct, consequential, incidental, or special damages of any kind.

We do not warrant any of our products that are installed in other machines or apparatus as meeting requirements of any safety code of any nature. The purchaser assumes all risks and liabilities resulting from the installation and use of product sold by us in combination with other machines or apparatus.

We warrant our product to be of the kind and quality quoted, and no other warranty except of title shall be implied. Our company shall repair or replace, at our discretion, any manufactured item on your granulator without charge FOB factory, within one (1) year after date of original purchase, which is proved to be defective when shipped. Claims for labor or consequential damages are not allowed.

Excluded from the above are knives, screens, and belts. Purchased items, including electrical components, motors, etc., shall carry the warranty of the supplier and no extension of that warranty is allowed.

Refer to this manual for assistance in installing and maintaining a highly efficient machine. Questions regarding areas that are not covered in the manual should be referred to the customer service manager at the factory at (800) 229-2919.

## 7-2 Drawings and Specifications (including Options)

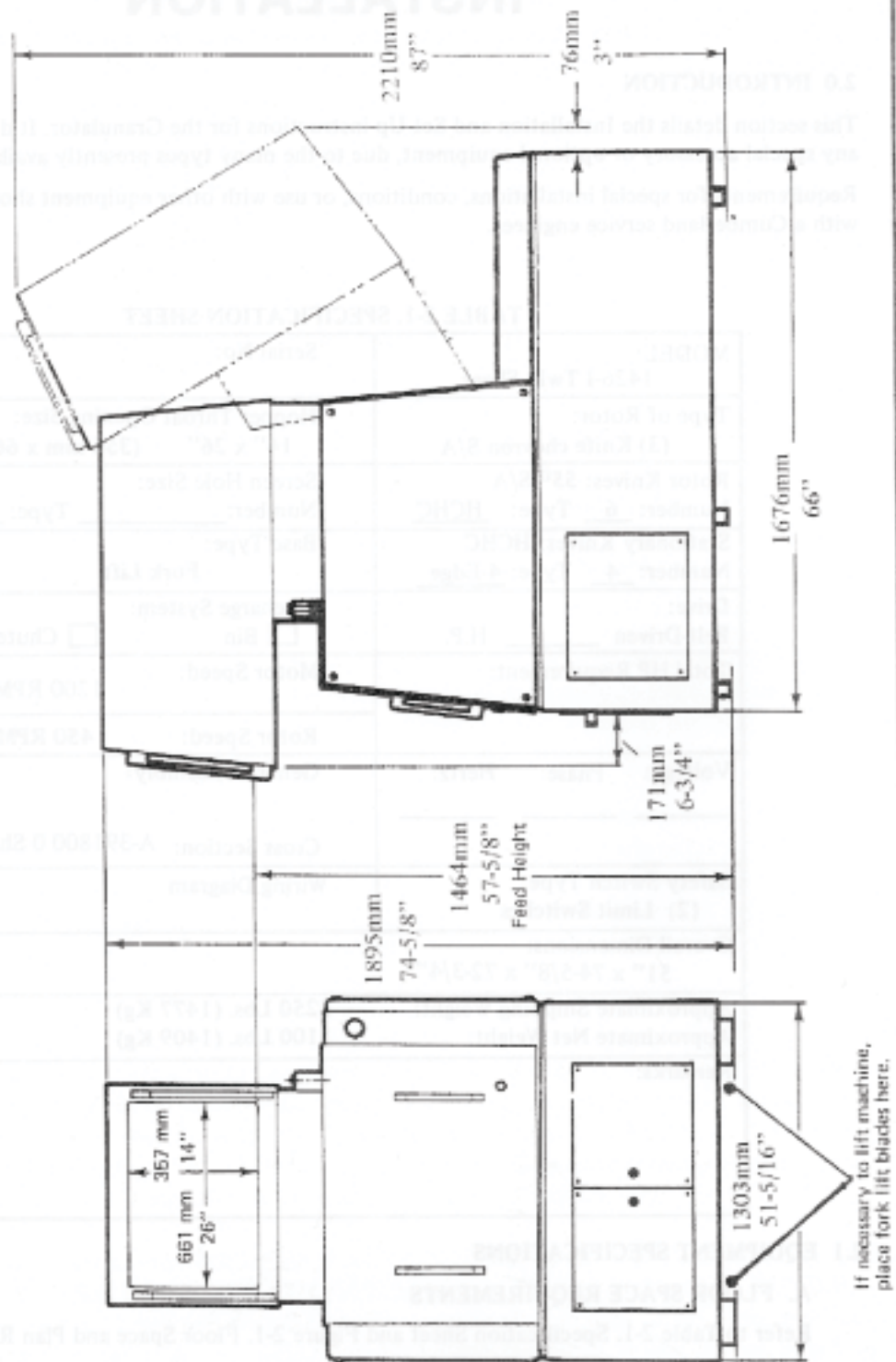
### Features

- Throat size: 14" x 26" (356 x 660 mm)
- Cutting circle diameter: 16.5" (419 mm)
- Throughput: up to 1200 lbs./hr. (544 kg)
- Approximate weight: 5,750 lbs. (2609 kg)

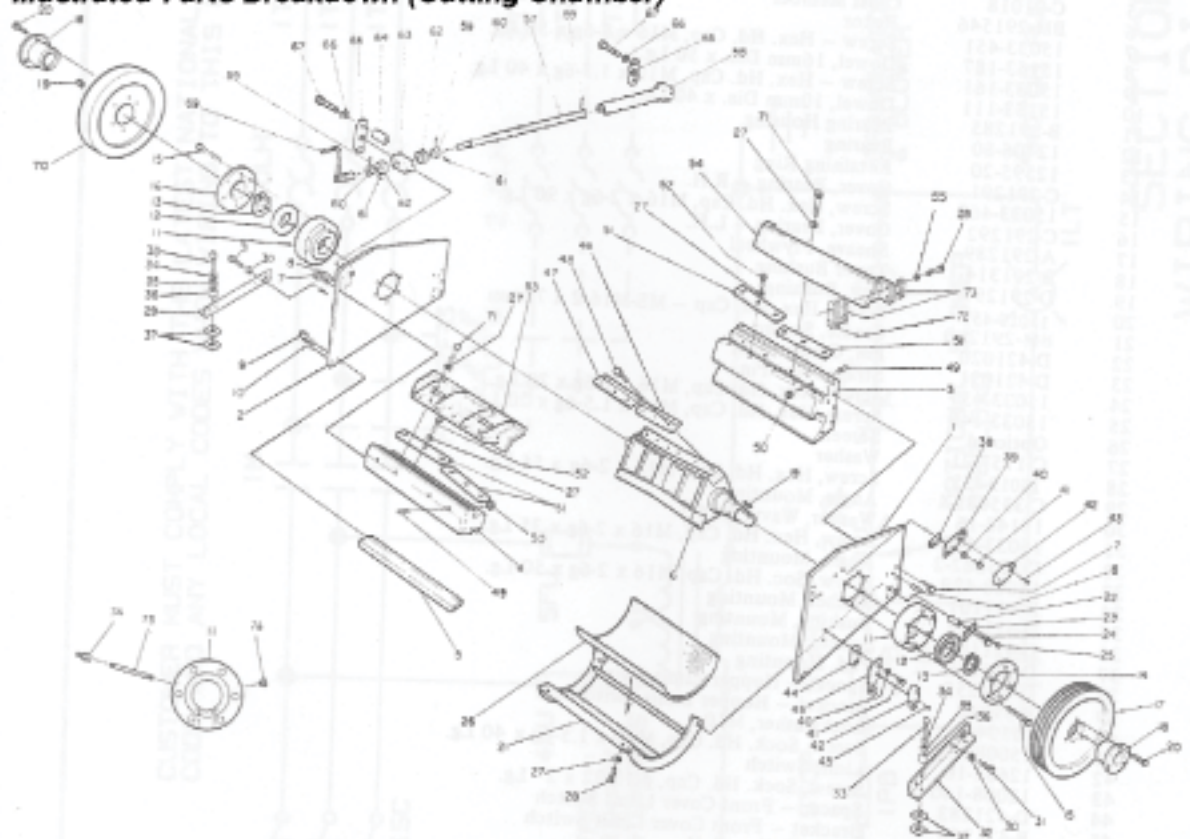
### Specifications

	Standard	Standard Options
Infeed	Tray Feed	Tray & Sheet feed, Tray & 6" pipe feed, Tray & 26" feed rolls, Conveyor feed, Side feed, Tray feed w/flange, Box hopper
Cutting Chamber	2-Bed Knife, Twinshear	
Rotor	3-knife Twinshear, Knife	
Rotor Knives	HCHC, 55°, steep angle	HCHC, keen edge, Cecoloy 3, HCHC w/TCSC
Bed Knives	HCHC, 4-edge	Cecoloy 3, HCHC w/TCSC
Screen	3/8" diameter, swing down	3/16" to 3" diameter, Heat treated, perforated, stainless steel
Base	Airveyor (fork lift)	Drum/Gaylord
Discharge	Airveyor Chute - 6" O.D.	Airveyor Chute - 7" or 8"
Motor	100HP, 1200 RPM, TEFC, 3/60/230/460	50HP-75HP, TEFC, Special voltage (e.g. 208, 380, 415, 575), Magnetic Disc Brake
Drive Parts	V-belt	To suit motor, Customer supplied
Electrical Components	NEMA 12 with safety interlocks	
Controls	Customer supplied	230 or 460 volt, NEMA 12, Special voltage, Energy saver
Labels	Safety labels/English	French/Spanish
Accessories		Blower, Separator, Common stand, Sound Proofed (80 dbA), Integral blower

## Dimensions



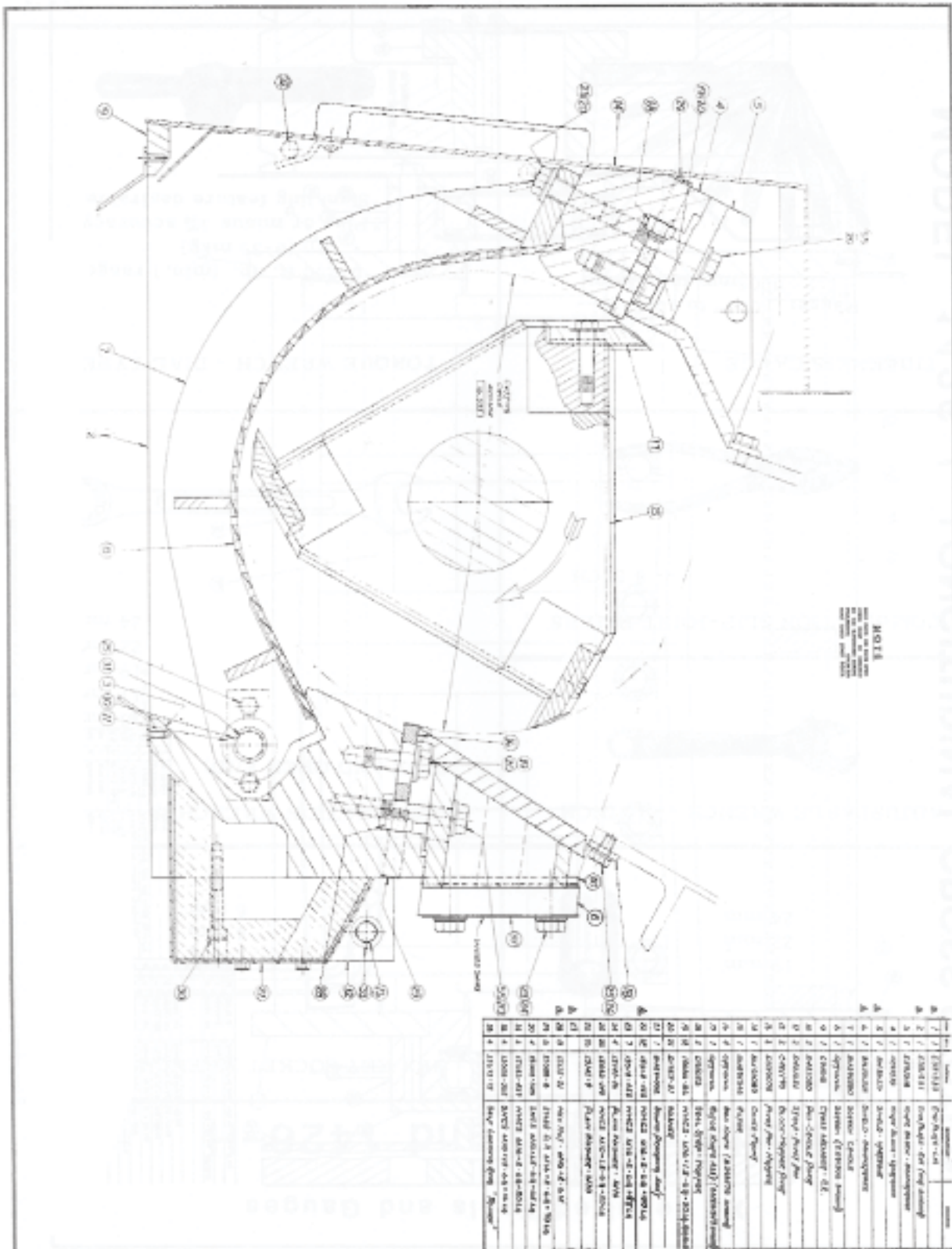
## Illustrated Parts Breakdown (Cutting Chamber)



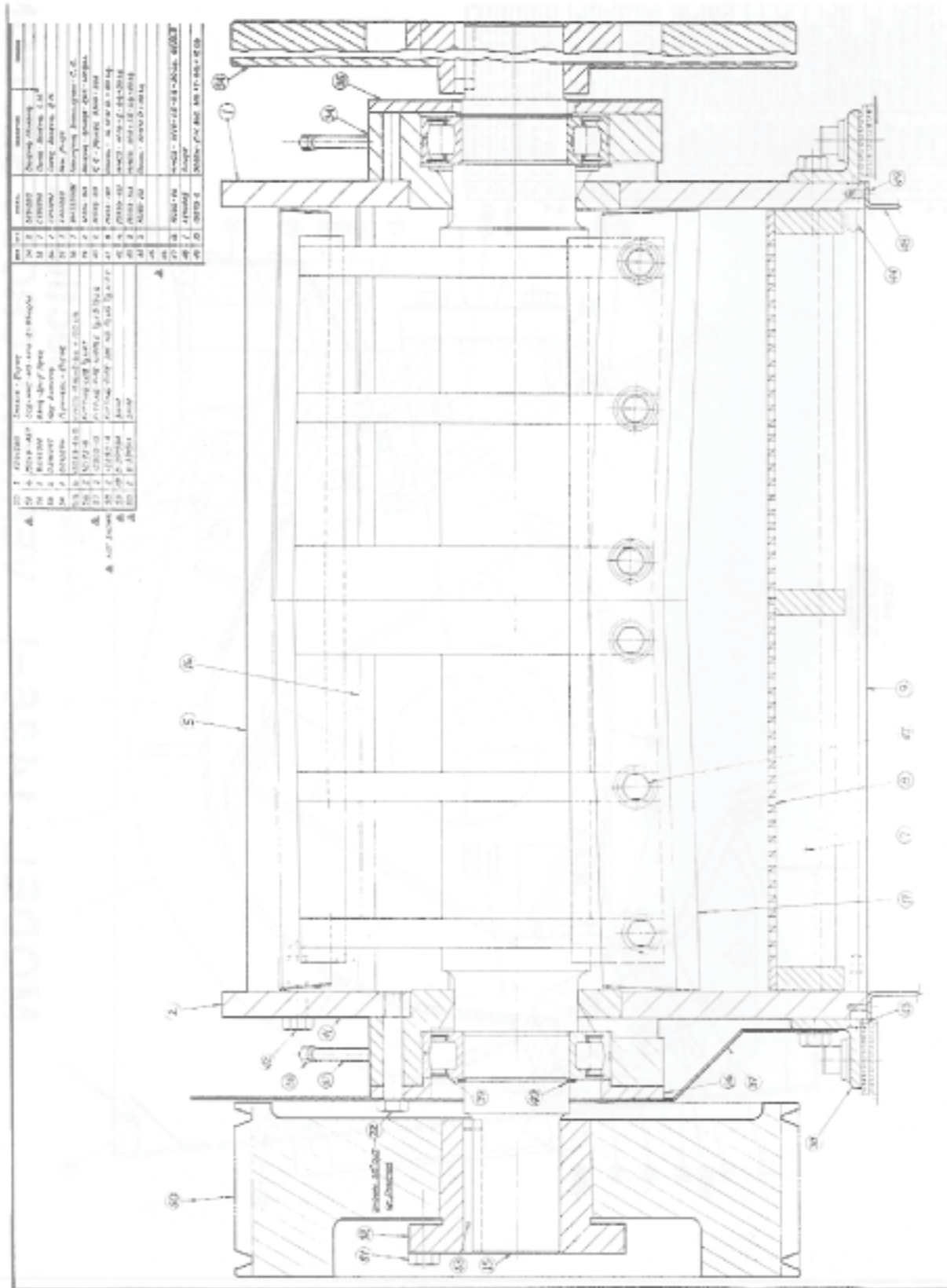
Key	Part Number	Part Name			
1	B-391530	End Plate - L.H.	39	B-39946	Bracket - Hopper Limit Switch
2	B-39153	End Plate - R. H.	40	15134-9	Lockwasher, M10
3	B-291518	Bed Knife Block - Downstroke	41	15008-317	Screw, Soc. Hd. Cap, M10 x 1.5-6g x 40 Lg.
4	A-291519	Bed Knife Block - Upstroke	42	12668-10	Limit Switch
5	C-91018	Cross Member	43	12008-140	Screw, Soc. Hd. Cap, #10-32 x 2" Lg.
6	BM-291546	Rotor	44	D-421283	Spacer - Front Cover Limit Switch
7	15033-451	Screw - Hex. Hd. Cap, M16 x 2 - 6g x 50 Lg.	45	B-421256	Bracket - Front Cover Limit Switch
8	15153-87	Dowel, 16 mm Dia x 50 Lg.	46	Optional	Rotor Knife - L.H.
9	15033-161	Screw - Hex. Hd. Cap M10 x 1.5-6g x 40 Lg.	47	Optional	Rotor Knife - R.H.
10	15153-111	Dowel, 10 mm Dia x 40 Lg.	48	15030-86	Bolt, Rotor Knife
11	B-291285	Bearing Housing	49	15089-8	Screw, Headless set - dog point, M16 x 2-6g x 70 Lg.
12	12406-80	Bearing	50	15115-21	Nut, Hex., M16 x 2-6b
13	12595-20	Retaining Ring	51	Optional	Bed Knife
14	C-291291	Cover, Bearing - R.H.	52	15030-86	Bolt, Bed Knife
15	15033-463	Screw, Hex. Hd. Cap, M1 x 2-6g x 90 Lg.	53	BM-391521	Shield, Upstroke
16	C-291292	Cover, Bearing - L.H.	54	BM-391536	Shield, Downstroke
17	A-291289	Shaave, Flywheel	55	15141-36	Washer, Plain, M16 x 2
18	B-291314	Taper Bushing	57	C-421282	Screw
19	D-291297	Key, Bushing	58	BM-421279	Pivot Block - Threaded
20	15019487	Screw, Hex. Hd. Cap - MS-M16-2 x 70 mm	59	15111-112	Roll Pin
21	BM-291280	Cradle, Screen	60	12376-117	Collar
22	D-421020	Pin, Cradle Pivot	61	(include, # 59)	Set Screw
23	D-421021	Strap, Pivot Pin	62	12410-60	Bearing
24	15033-437	Screw, Hex. Hd. Cap, M16 x 2-6g x 20 Lg.	63	C-421277	Pivot Block
25	15033-149	Screw, Hex. Hd. Cap, M10 x 1.5-6g x 20 Lg.	64	D-421285	Mount Spacer - Pivot Block
26	Optional	Screen	65	C-421276	Cap - Screw Pivot
27	C-1757-21	Washer	66	15134-36	Lockwasher, M16
28	15019-455	Screw, Hex. Hd. Cap, M16 x 2-6g x 55 Lg.	67	15053-447	Screw, Hex. Hd. Cap, M16 x 2-6g x 35 Lg.
29	C-335082-1	Angle, Mounting	68	15029-108	Screw, Hex. Hd. Cap, M16 x 2-6g x 100 Lg.
30	15148-16	Washer, Vavy, M16	69	C-421275	Crank Handle
31	15033-447	Screw, Hex. Hd. Cap, M16 x 2-6g x 35 Lg.	70	B-291296	Flywheel Rotor
32	C-335082-2	Angle, Mounting	71	15019-465	Screw, Hex. Hd. Cap, M16 x 2-6g x 100 Lg.
33	15008-499	Screw, Soc. Hd. Cap, M16 x 2-6g x 50 Lg.	72	D-391584	Shim
34	D-421101	Washer, Mounting	73	D-391511	Shim
35	D-421102	Bushing, Mounting	74	12173-6	Fitting - Lob.
36	D-421100	Spacer, Mounting	75	12303-10	Fitting Pipe - Nipple
37	D-421259	Pad, Mounting	76	12293-4	Fitting Pipe Plug 1/8
38	D-421255	Spacer - Hopper Limit Switch			



### Vertical Cross Section



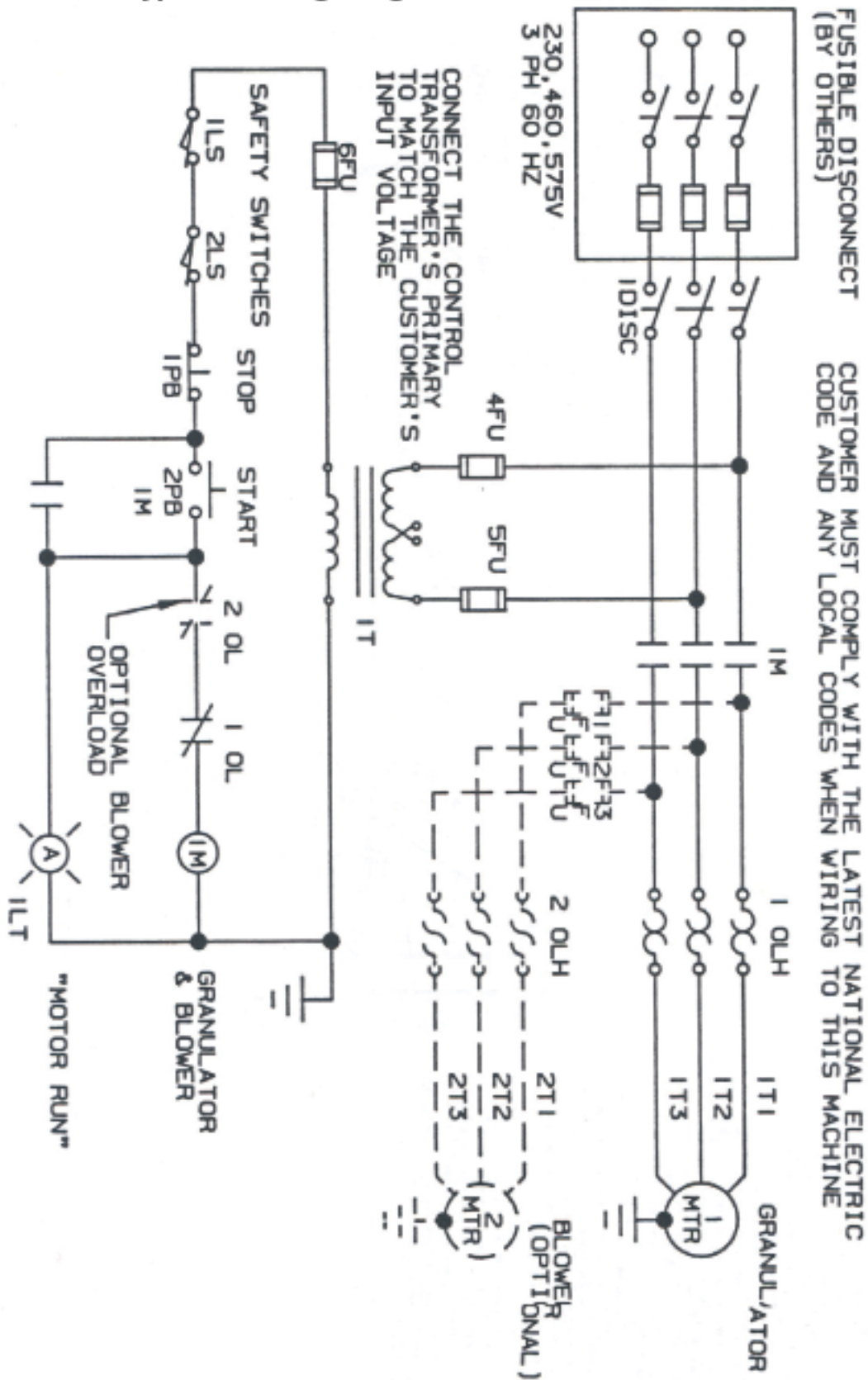
### Longitudinal Cross Section



### 7-3 Spare Parts List

Item	Qty	Material	Part Number
R.H. Rotor Knives –55°	3	HCHC	B-291547-1
L.H. Rotor Knives – 55°	3	HCHC	B-291547-2
Bed Knives	4	HCHC	B-291479
Rotor Knife Screws	18	Heat Treated	15036-234
Bed Knife Screws	12	Heat Treated	15036-234
Bed Knife Washers	12		D-1757-21
Screens	1	Mild Steel or Stainless Steel	Optional
Rotor Bearings	2		12406-80
Drive Belts			

## 7-4 Typical Wiring Diagram



## 7-5 Technical Assistance

### ***Parts Department***

Call Spare Parts Express toll-free 8am-8pm EST (800) 229-2919. OEM quality replacement and spare parts ensure operation at design specifications. Please have the model and serial number of your equipment when you call. Consult the Customer Parts List included in your information packet for replacement part numbers.

### ***Service Department***

Call toll free (800) **229-2919** 8am-8pm EST – Emergency service available 24 hours a day. We have a qualified service department ready to help. Service contracts are available for most of our products.

### ***Sales Department***

Call (508) 399-**3100** Monday through Friday 8am-5pm EST. Our products are sold by a worldwide network of independent sales representatives. Contact our sales department for the name of the sales representative nearest you.